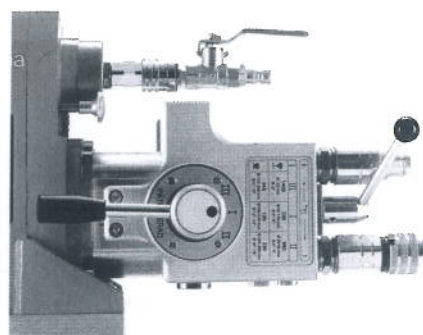
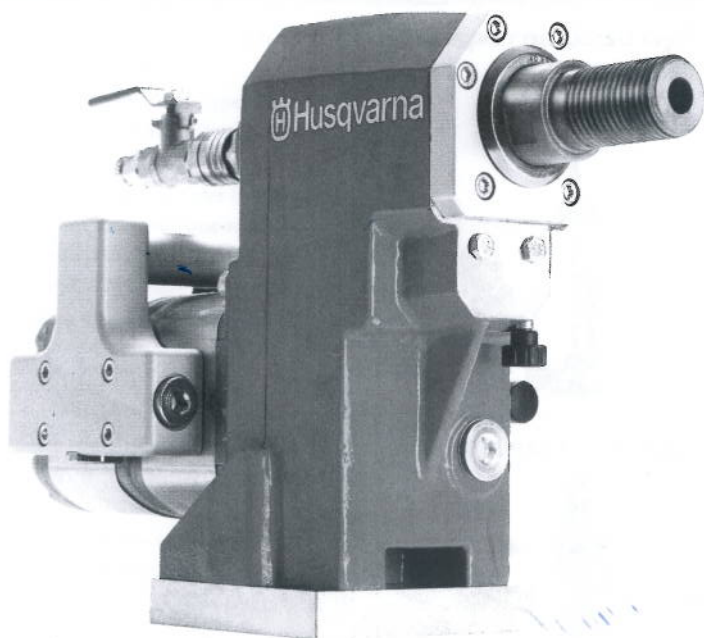


# Husqvarna DM 406 H.



*Gearbox leveling handles.*

## Applications.

- Heavy core drilling up to 24" in diameter together with the Husqvarna DS 70 AT and DS 800 drill stands.
- Ideal for use with Husqvarna PP 418 gas or PP 325 E electric power packs.
- For reinforced concrete, bricks and other building material.
- Use for waste evacuation pipes, stitch drilling, large openings and deep holes for channels and pipes.

## Benefits.

- Six speeds provide a wide rpm range for all types of applications, materials and holes up to 24" diameter.
- The hydraulic gearbox is easy to maneuver and enables the operator to change speed during operation.
- The operator can adjust the speed when starting to drill a hole, which gives a smoother start and straighter holes.

## Product specifications.

	DM 406 H	E
Item no.	965158207	
List price	\$7,307.00	

## Technical specifications.

Flow requirements	10 gpm @ 2,000 psi
High range motor speed	1,400/980/580 rpm
Recommended bit diameter	1" to 5" bits
Low range motor speed	340/230/120 rpm
Recommended bit diameter	5" to 24" bits
Weight - lbs. (kg)	35 (16)
Spindle thread	1-1/4"-7

## Diamond drill bits.

MATERIAL	B1135	B817	B820	B828	B715	B725	B735	B735PS	B610	B628	B635	B680	BANNER LINE®
HARD CONCRETE	●	●	●	●	●	●	—	●	●	●	●	—	●
MEDIUM CONCRETE	●	●	●	●	●	●	●	●	●	●	●	—	●
SOFT CONCRETE	●	○	○	●	—	○	●	●	○	○	●	○	●
MASONRY BLOCK	—	—	○	●	—	—	●	—	—	○	○	○	●
ASPHALT	—	—	—	—	—	—	—	—	—	—	—	●	—
Read more on page	76	77, 78	77, 78	77, 78	79, 80	79, 80	79, 80	79, 80	81	81	81	81	82

● = Optimal ● = Good ○ = Acceptable — = Not recommended